

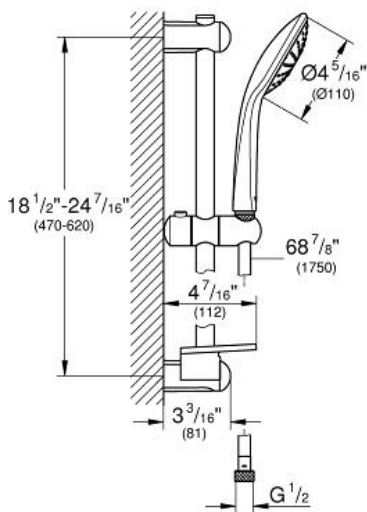
# EUPHORIA 110 MONO Shower Set

MODEL # 2726600E

Pure Freude an Wasser



GROHE America, Inc | 200 North Gary Avenue, Suite G, Roselle, IL 60172  
Phone: +1 (800) 444-7643 | Fax: +1 (800) 225-2778 | us-customerservice@grohe.com



## Product Description: Shower Set

### Standard Specification:

- Consisting of:
  - Euphoria hand shower (27 265 00E), 1 spray, 1.5 gpm
  - 24" shower bar (27 499 000)
  - 69" Silverflex shower hose (28 388 000)
  - **GROHE EasyReach** tray
  - **GROHE EcoJoy** 1.5 gpm (5.7 l/min) flow restrictor
  - **GROHE DreamSpray** perfect spray pattern
  - **GROHE StarLight** chrome finish
  - GROHE QuickFix (upper bracket adjustable for adaption to existing drilling holes)
  - **SpeedClean**<sup>®</sup> anti-lime system
  - Inner WaterGuide for a longer life
  - Twistfree to prevent hose from twisting
  - Suitable for instantaneous heater
  - Min. recommended pressure: 15 psi
  - Max Flow Rate 1.5 gpm at 80 psi (5.7 L/min)

### Applicable Codes & Standards:

- Energy Policy Act of 1992
- ASME A112.18.1/CSA B125.1

### Color:

- 2726600E StarLight Chrome

